



SELF-LOADING ROLLER SPREADERS

- AM SL 300
- AM SL 500
- AM SL 800
- AM SL 1300

**Faster antiskid
treatment with
less equipment**



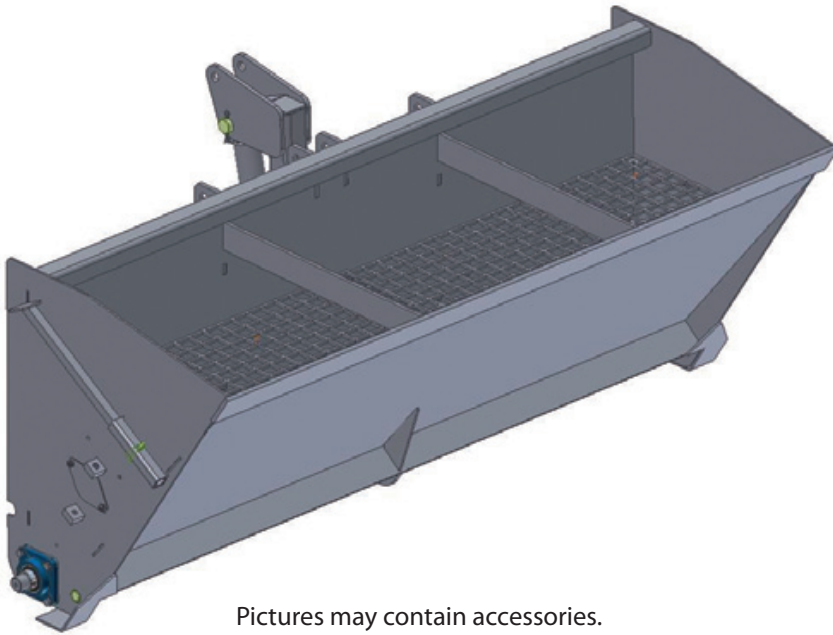
AM SL 300, 500, 800, and 1300 self-loading roller spreaders are ideal in antis-kid environment where you have to get the job done with fewer machines. You can load the material quickly into the spreader, which saves time and costs in road maintenance.



ROAD INTELLIGENCE

Quick and user-friendly choice

AM SL 300, 500, 800, and 1300 self-loading roller spreaders are placed at the back of the machine. This frees the front loader for ploughing or other work. You can fine-tune the material flow from the spreading roller to the ground hydraulically. You can also easily perform the rough material flow adjustment with the adjustment screw and the regulation valve of the flow. By using Arctic Machine's plough, centre-mounted scraper, and self-loading roller spreader together, you can save costs without sacrificing quality.



Pictures may contain accessories.

Technical information	AM SL 300	AM SL 500	AM SL 800	AM SL 1300
Capacity	300 dm ³	560 dm ³	800 dm ³	1,300 dm ³
Working width	1,000 mm	1,500 mm	2,000 mm	2,000 mm
Weight (front loader version)	245 kg	320 kg	380 kg	455 kg
Weight (standard)	330 kg	400 kg	460 kg	550 kg
Weight (with crusher axle)	387 kg	466 kg	544 kg	620 kg
Swivelling cylinder	1	1	1	- (1 telescope swivelling cylinder)
Oil consumption	20 l/min	20 l/min	20 l/min	20 l/min
Pressure	100 bar	100 bar	100 bar	100 bar

Head Office:

Arctic Machine Oy, Karsikonmäentie 1, FI-77800 Iisvesi, Finland
 Tel. +358 (0)20 7791 500, fax +358 (0)20 7791 501
 am@arcticmachine.com, www.arcticmachine.com

Copyright © Arctic Machine Oy. All rights reserved.

