



SIDE- MOUNTED PLOUGH FOR TRUCKS AM SHJ RANGE

**Perfect road
maintenance**



With the AM SHJ side-mounted ploughs, you can substantially increase the ploughing width of your truck. Thus road maintenance becomes more profitable because you need less equipment.

The side-mounted ploughs are extremely easy and safe to use. You can make plowing even more efficient and faster by using them together with front-mounted ploughs and centre-mounted scrapers.

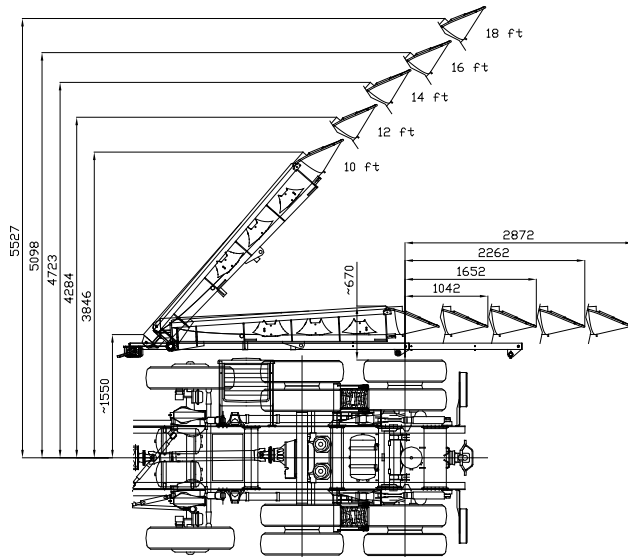


ROAD INTELLIGENCE

Efficiency and increased plowing width

The AM SHJ side-mounted ploughs maximize the cost-efficiency of your ploughing unit. A unit equipped with one of these ploughs has an 8-meter plowing width, which enables you to perform antiskid treatment for the complete road width at once.

You can take them into use remarkably quickly, and adjust their working width very easily. Due to their ingenious structure, they can easily follow the shape of the road, which guarantees an excellent outcome and enhances the impact of antiskid treatment. The side mounted ploughs are equipped with mechanical safety device which protects the ploughs in collision situations.



Pictures may contain accessories.

Technical information	SHJ 210	SHJ 210 H	SHJ 212	SHJ 214	SHJ 216	SHJ 218
Wing tip height	550 mm	550 mm	550 mm	550 mm	550 mm	550 mm
Max. wing height	1,370 mm	1,500 mm	1,370 mm	1,370 mm	1,370 mm	1,370 mm
Blade angle adjustment	3° - 49°	3° - 49°	3° - 49°	3° - 49°	3° - 48°	3° - 48°
Weight (without wear blades)	740 kg	810 kg	800 kg	860 kg	940 kg	1000 kg
Weight of the quick attachment parts	~250 kg	~250 kg	~250 kg	~250 kg	~250 kg	~250 kg

Hydraulics	SHJ 210-218, 210 H
Double acting lifting cylinder, front	1 pcs
Double acting lifting cylinder, rear	1 pcs
Double acting swivelling cylinder	1 pcs
Oil consumption	50 l/min
Pressure	100 bar

Head Office:

Arctic Machine Oy, Karsikonmäentie 1, FI-77800 Iisvesi, Finland
 Tel. +358 (0)20 7791 500, fax +358 (0)20 7791 501
 am@arcticmachine.com, www.arcticmachine.com

Copyright © Arctic Machine Oy. All rights reserved.



ROAD INTELLIGENCE